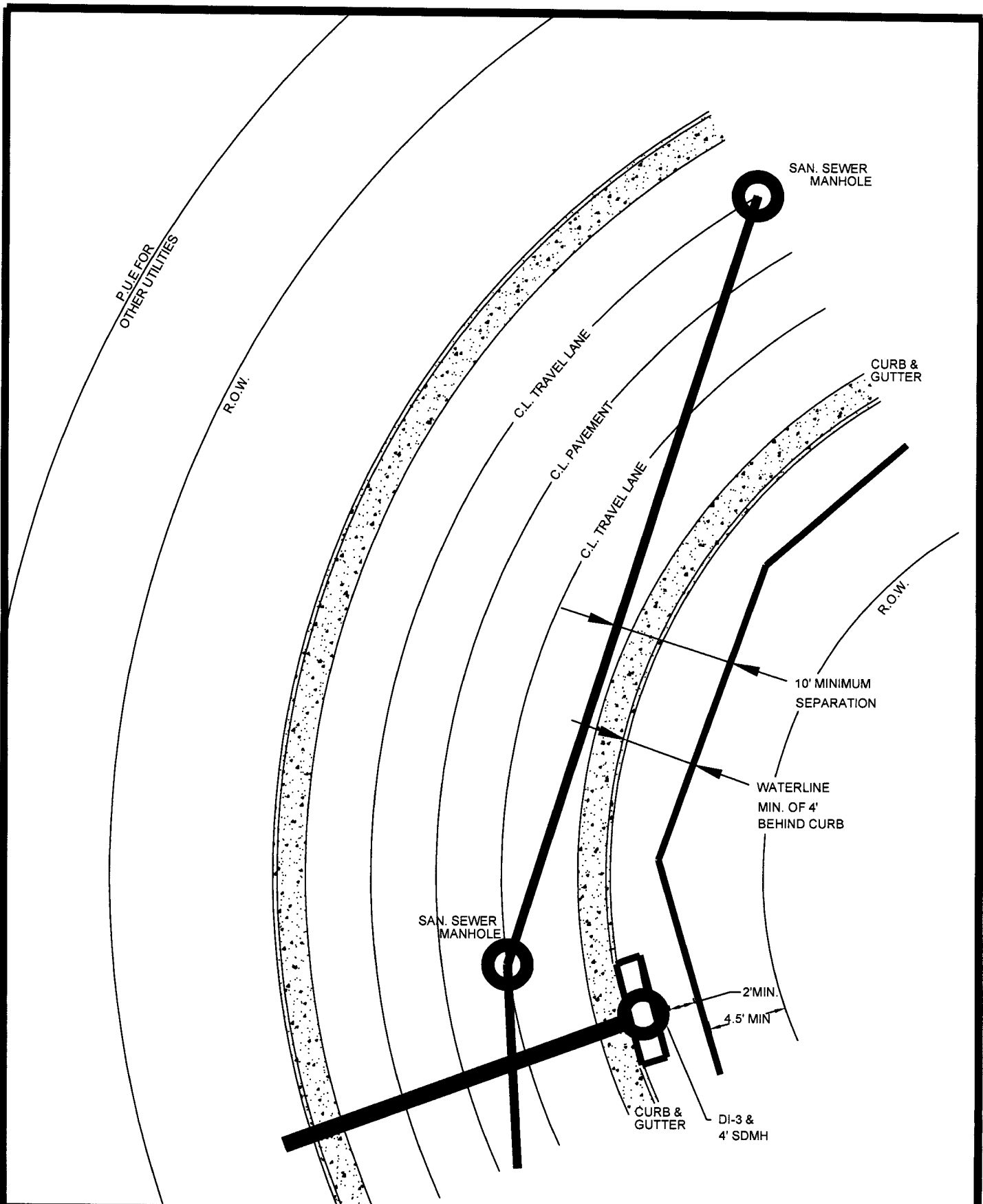


LIST OF GENERAL DETAIL DRAWINGS

<u>G #</u>	<u>Title</u>
01	Public Water and Sanitary Sewer Standard Configuration in Public Roads
02	Public Water and Sanitary Sewer Standard Profile Configuration
03	Public Water and Sanitary Sewer Standard Cul-De-Sac Configuration
04	Chain Link Fence
05	Tracer Wire for Non-Metallic Pressure Pipe
06	Sanitary Sewer and Waterline Easements

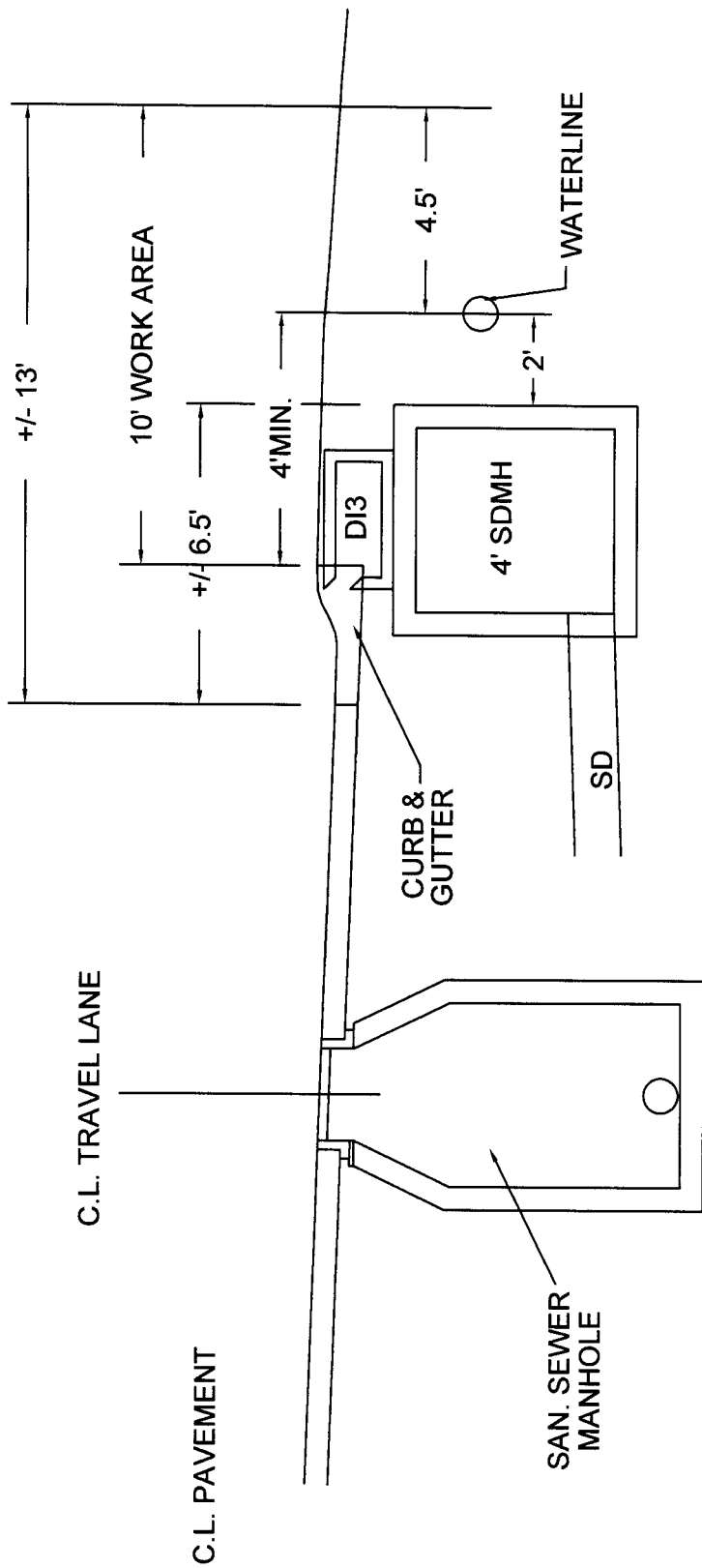


WESTERN VIRGINIA WATER AUTHORITY - CONSTRUCTION STANDARDS

REVISION	DATE
07/01/04	
03/01/06	

**PUBLIC WATER AND SANITARY SEWER
STANDARD CONFIGURATION IN PUBLIC ROADS**

G-01



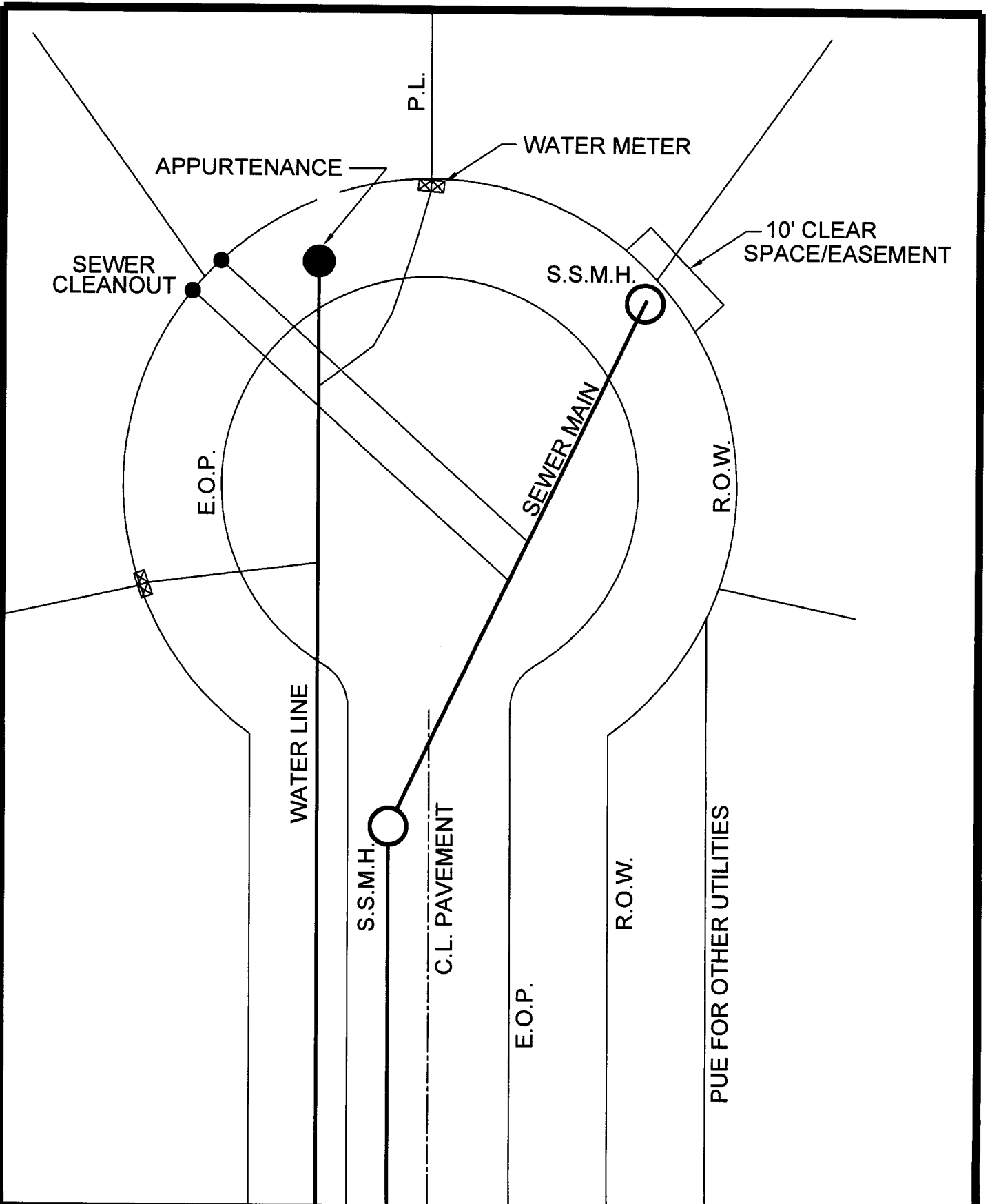
1. A WORK AREA WITH A MINIMUM CLEAR SPACE OF 10 FT. BEHIND THE BACK OF CURB SHALL BE PROVIDED FOR ALL WATER MAINS. A PUBLIC EASEMENT MUST BE PROVIDED IF THERE IS LESS THAN 10 FT BETWEEN THE BACK OF CURB AND RIGHT-OF-WAY LINE.
2. NO SEWER MANHOLE OR WATER APPURTENANCES SHALL BE PLACED IN THE PAVEMENT OF CUL-DE-SACS.

WESTERN VIRGINIA WATER AUTHORITY - CONSTRUCTION STANDARDS

REVISION	DATE
07/01/04	
03/01/06	

**PUBLIC WATER AND SANITARY SEWER
STANDARD PROFILE CONFIGURATION**

G-02

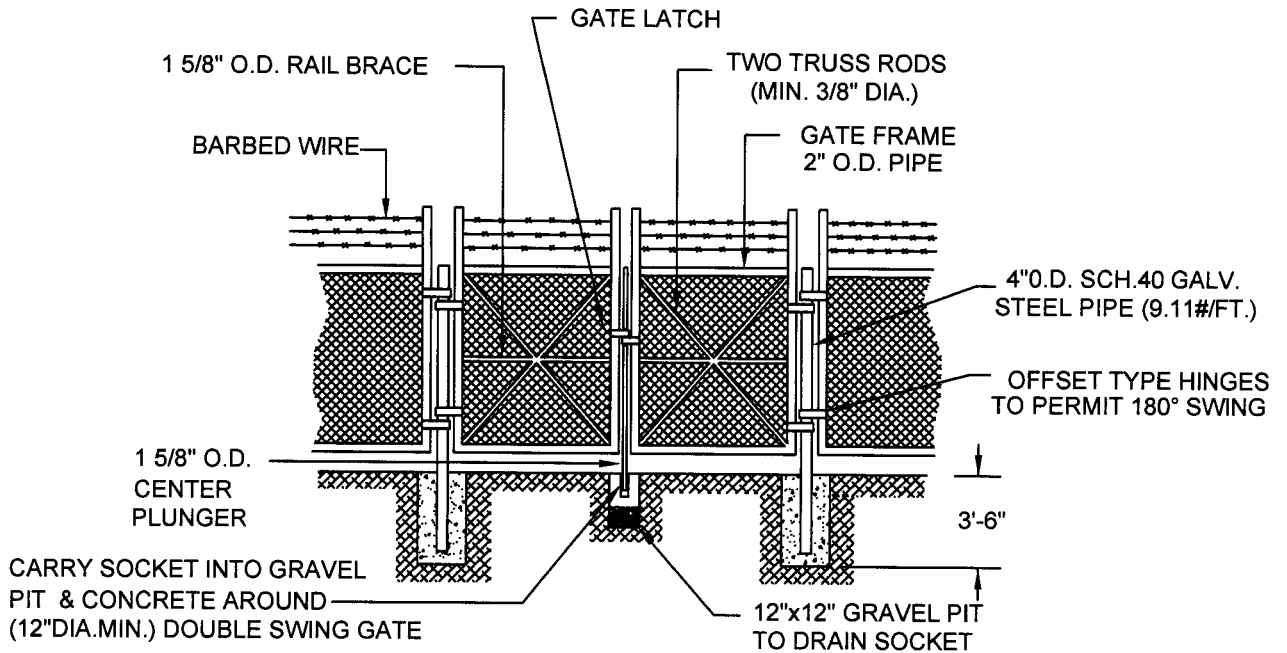


WESTERN VIRGINIA WATER AUTHORITY - CONSTRUCTION STANDARDS

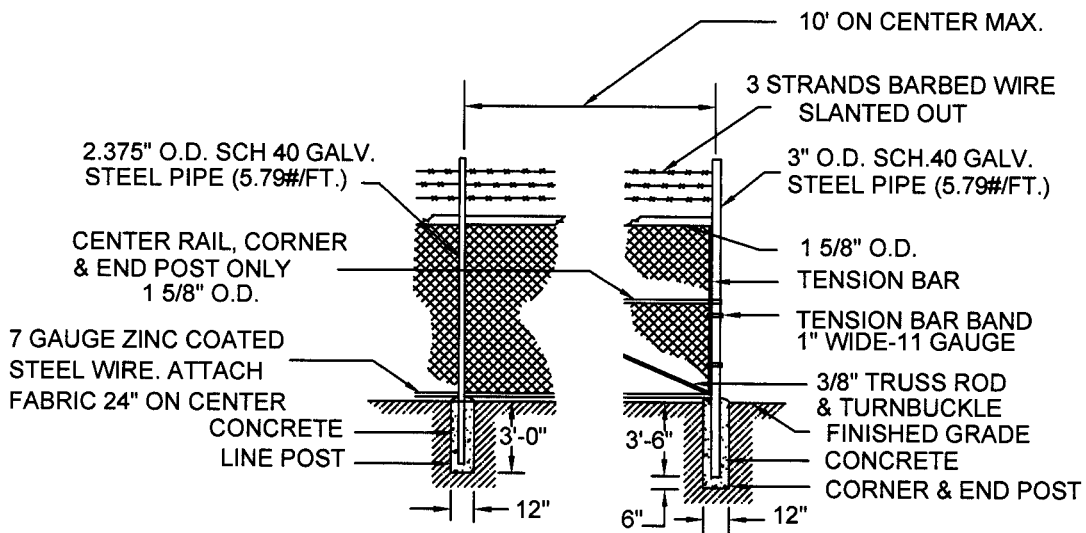
REVISION	DATE
07/01/04	
03/01/06	

**PUBLIC WATER AND SANITARY SEWER
STANDARD CUL-DE-SAC CONFIGURATION**

G-03



DOUBLE GATE DETAIL



FENCE DETAIL

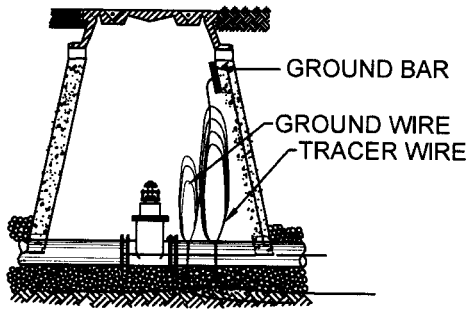
AS DESIGNATED BY UTILITY ENGINEER FOR SECURITY OF UTILITY INSTALLATIONS

WESTERN VIRGINIA WATER AUTHORITY - CONSTRUCTION STANDARDS

REVISION	DATE
07/01/04	

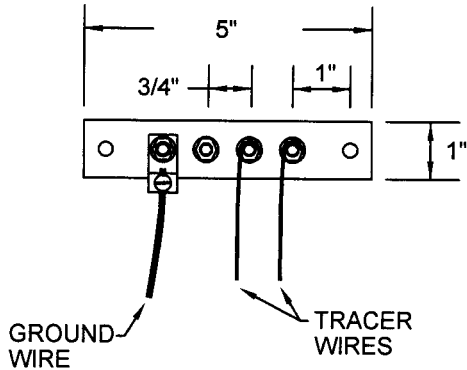
**CHAIN LINK
FENCE**

G-04

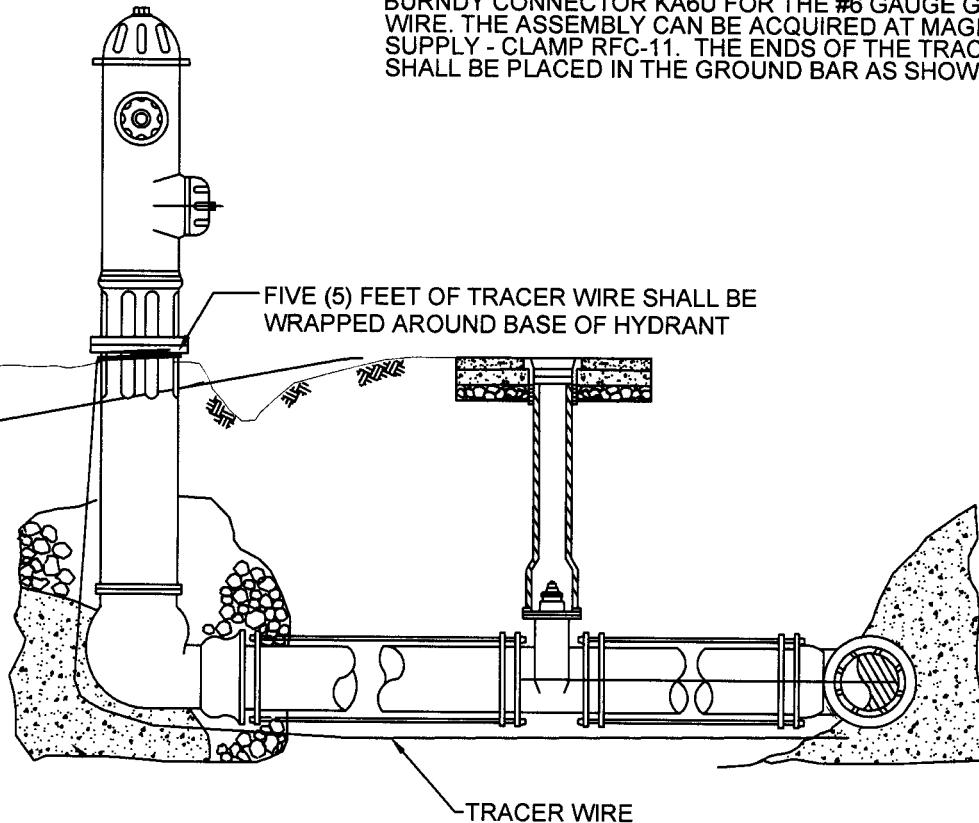


GROUND WIRE TO BE EXTENDED FIVE (5) FEET INTO THE GROUND.

Ground Bar



CUT SLOPE
FILL SLOPE



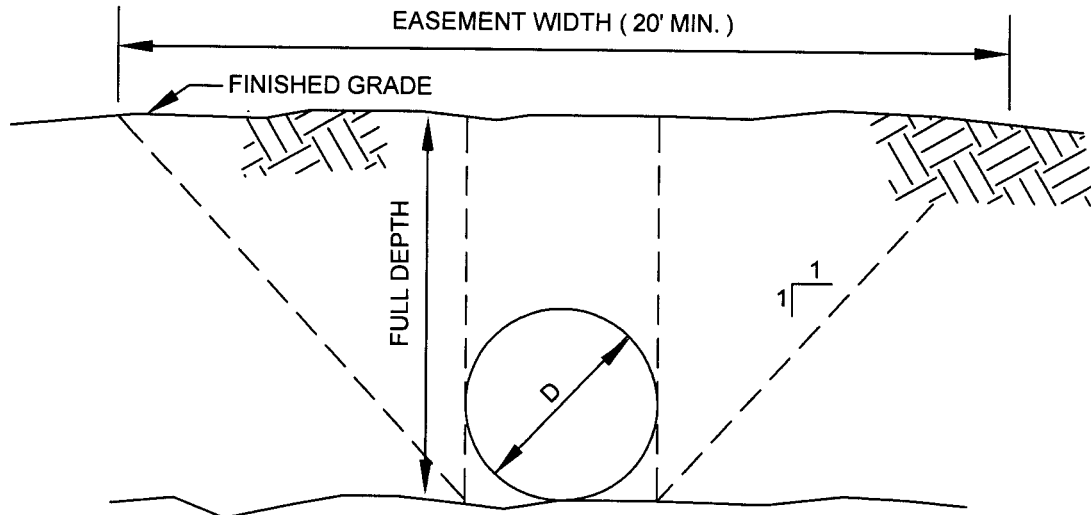
1. TRACER WIRES SHALL BE INSTALLED USING MANHOLES, VALVE BOXES OR VAULTS, WATER METERS AND FIRE HYDRANTS AS ACCESS POINTS.
2. TRACER WIRE SHALL BE A 12 GAUGE SOLID COPPER WIRE WITH POLYETHYLENE INSULATION OF 30 MIL THICKNESS.
3. SPLICES SHALL BE MADE USING A 3M DIRECT BURY SPLICE KIT (DBY) OR EQUIVALENT.
4. TRACER WIRE SHALL BE LONG ENOUGH TO EXTEND A DISTANCE OF FIVE (5) FEET BEYOND THE STRUCTURE.
5. ASBUILTS SHALL SHOW TRACER WIRE(S) LOCATION AND ACCESS POINT(S).
6. THE TRACER WIRE SHALL BE PLACED ALONG THE LOWER QUADRANT OF THE PIPE. THE WIRE SHALL NOT TOUCH THE PIPE, BUT SHALL BE A MAXIMUM OF 6" FROM THE PIPE. NON-METALLIC SPACERS MAY BE USED TO MAINTAIN A SET DISTANCE FROM THE UTILITY.
7. WHERE LINES ARE GREATER THAN SIX(6) FEET IN DEPTH, WIRE SHALL BE BROUGHT TO THE SURFACE EVERY ONE-HUNDRED (100) FEET AND PLACED IN A WATER METER BOX OR APPROVED JUNCTION BOX.
8. THE TRACER WILL BE TESTED BY THE AUTHORITY AS PART OF THE PROJECT'S FINAL ACCEPTANCE.
9. THE GROUND WIRE SHALL BE #6 GAUGE COPPER WIRE AND INSTALLED TO EXTEND A DISTANCE OF FIVE (5) FEET INTO THE GROUND. GROUND WIRE SHALL BE OF ADEQUATE LENGTH TO EXTEND FIVE (5) FEET BEYOND THE TOP OF STRUCTURE AND THE END OF GROUND WIRE SHALL BE PLACED INTO THE KA6U CONNECTOR.
10. THE GROUND BAR SHALL BE STAINLESS STEEL AND SHALL BE ATTACHED USING SS 1/4" X 1 1/4" SS HEX TAPCON. THE FOLLOWING SHALL BE INSTALLED IN 4 (FOUR) CENTER HOLES: 10-32 SS NUTS, #10 SS WASHERS AND 10-32 X 3/4 SS PHILLIPS. THE FOURTH HOLE SHALL HAVE A BURNDY CONNECTOR KA6U FOR THE #6 GAUGE GROUND WIRE. THE ASSEMBLY CAN BE ACQUIRED AT MAGIC CITY SUPPLY - CLAMP RFC-11. THE ENDS OF THE TRACER WIRES SHALL BE PLACED IN THE GROUND BAR AS SHOWN.

WESTERN VIRGINIA WATER AUTHORITY - CONSTRUCTION STANDARDS

REVISION	DATE
07/01/04	
03/01/06	

TRACER WIRE FOR NON-METALLIC PRESSURE PIPE

G-05



D = PIPE DIAMETER.

- A. PUBLIC EASEMENT WIDTH SHALL BE DETERMINED BASED ON 1:1 SIDE SLOPE EXTENDING FROM THE FINISHED GRADE TO OUTSIDE EDGE OF PIPE (NOMINAL PIPE DIAMETER) ROUNDED UP TO THE NEAREST 1' INCREMENT.
- B. THIS EASEMENT SHALL EXTEND ALONG THE ENTIRE LENGTH OF THE SUBJECT PIPE AT LEAST ONE HALF THE DISTANCE OF EASEMENT PAST CENTER OF LAST MANHOLE.
- C. MIN. 20' UNLESS APPROVED BY UTILITY ENGINEER.

WESTERN VIRGINIA WATER AUTHORITY - CONSTRUCTION STANDARDS

REVISION DATE	
07/01/04	

**SANITARY SEWER AND
WATER LINE
EASEMENTS**

G-06